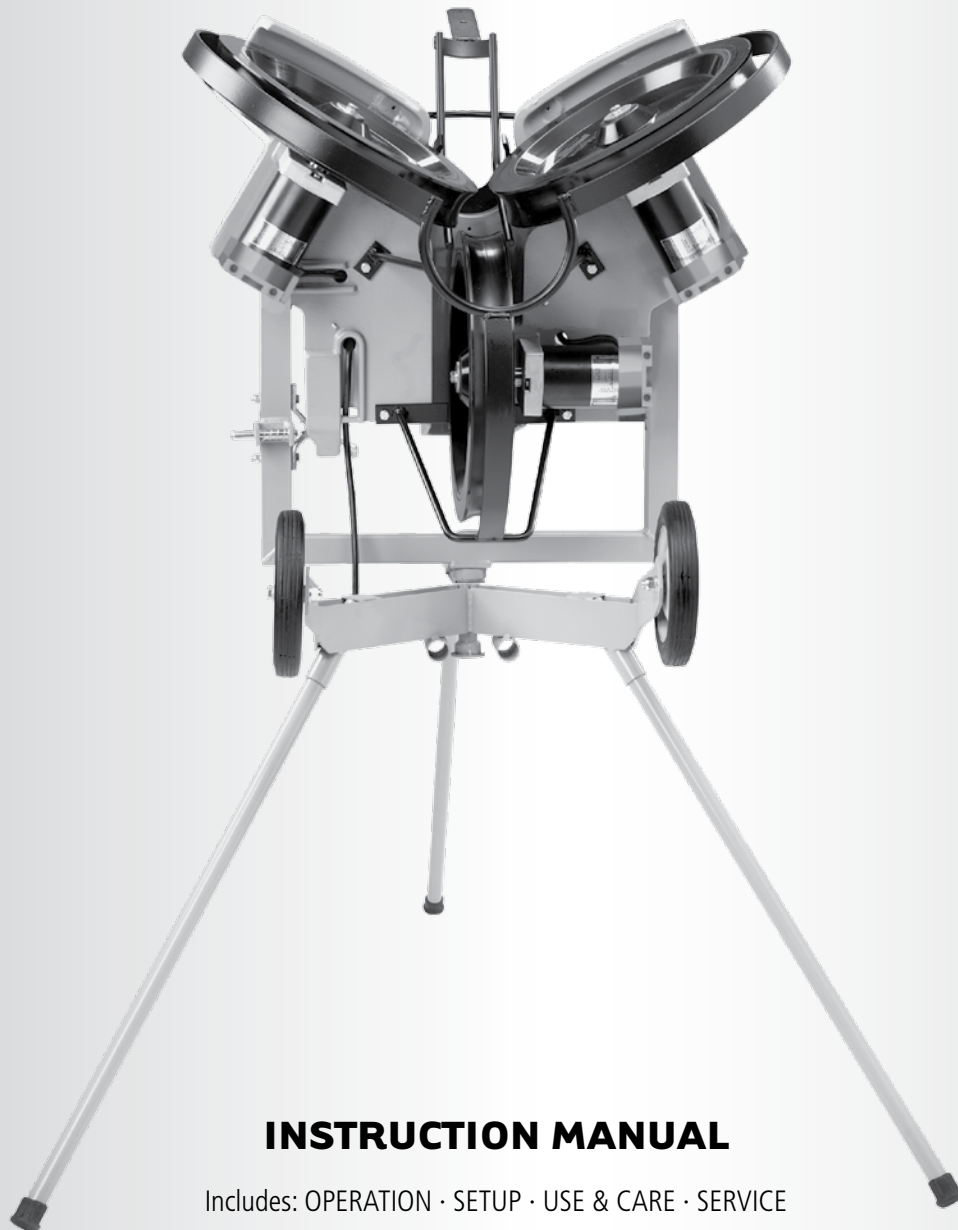




ELECTRONIC BASEBALL PITCHING MACHINE



INSTRUCTION MANUAL

Includes: OPERATION · SETUP · USE & CARE · SERVICE

INSTRUCTION MANUAL PART NO. B-EHABA-100 REV022 111



SPORTS ATTACK LLC
800-717-4251
www.sportsattack.com

BASEBALL

WARRANTY STATEMENT

e-Hack Attacks manufactured by Sports Attack LLC. are warranted against defects in materials and workmanship for a period of five (5) years from the date of original purchase, with the following exceptions:

Wheels are warranted for one (1) year;
Electronic components are warranted for one (1) year; and,
Motors are warranted for one (1) year.

Should such equipment be found to be defective, Sports Attack LLC. will, at its option and sole discretion provide at no cost to the purchaser new or rebuilt replacements for defective parts and will pay the pre-approved labor charge to repair the product for the duration of the warranty period only.

THE FOREGOING OBLIGATION IS EXPRESSLY GIVEN IN LIEU OF ANY OTHER WARRANTIES, EXPRESSED OR IMPLIED, INCLUDING ANY IMPLIED WARRANTY OF MERCHANTABILITY OR FITNESS FOR A PARTICULAR PURPOSE, WHICH ARE HEREBY EXCLUDED.

SPORTS ATTACK LLC. SHALL NOT BE LIABLE FOR INDIRECT, INCIDENTAL OR CONSEQUENTIAL DAMAGES OR LOSSES FROM ANY CAUSE WHATSOEVER.

This warranty is void if the equipment has been misused, misapplied, improperly assembled, or modified without the express written permission of Sports Attack LLC. In addition, this warranty does not apply to damage in transit, in any accident unrelated to the direct operation of the equipment, or by fire, flood or act of God.

To obtain warranty service during the warranty period:

1. Have the date of purchase and serial number ready (see page 4 for the location of the serial number).
2. Call the Customer Service Department at 1-800-717-4251
3. Identify the product and describe the problem.

A Customer Service Representative will help you to correct the problem and send replacement part(s) if necessary. An invoice will be sent if any parts need to be exchanged. To clear the invoice, return, prepaid and within 30 days, the defective parts as detailed on the invoice to:

Sports Attack LLC.
2805 U. S. 40
Verdi, NV 89439

SHIPPING DAMAGE CLAIMS PROCEDURE

NOTE: For your protection, please note that equipment in this shipment was carefully inspected and packaged by skilled personnel before leaving the factory.

Upon acceptance of this shipment, the transportation company assumes full responsibility for its safe delivery.

IF SHIPMENT ARRIVES DAMAGED:

1. **VISIBLE LOSS OR DAMAGE:** Be certain that any visible loss or damage is noted on the freight bill or express receipt, and that the note of loss or damage is signed by the delivery person.
2. **FILE CLAIM FOR DAMAGE IMMEDIATELY:** Regardless of the extent of the damage.
3. **CONCEALED LOSS OR DAMAGE:** If damage is unnoticed until the merchandise is unpacked, notify the transportation company or carrier immediately, and file "CONCEALED DAMAGE" claim with them. This must be done within fifteen (15) days from the date the delivery was made to you. Be sure to retain the container for inspection.

Sports Attack LLC. cannot assume liability for damage or loss incurred in transit. We will, however, at your request, supply you with the necessary documents to support your claim.

To register the Warranty, please return the Warranty Registration Card to:

Sports Attack LLC.
P.O. Box 1529
Verdi, NV 89439

For repairs and service after the Warranty period, please call:

Sports Attack
Customer Service Dept.
Ph 800-717-4251
Fx (775) 345-2883

RETURNS

To return an item, please contact our Customer Service Department at 800-717-4251.

A 15% restocking fee will be charged for any items accepted for return. It is the customer's responsibility to handle the repacking and shipment (as well as all associated fees) back to Sports Attack.

No returns will be accepted after 30 days of receiving product.

Warranty/Shipping

IMPORTANT

If you turn off your e-Hack Attack or if your e-Hack Attack gets unplugged, **WAIT 20 SECONDS BEFORE POWERING UP YOUR E-HACK ATTACK.** Failure to do so can lead to garbled/unreadable screen displays as well as cause problems with the computer's motherboard.

HOME SCREEN

This is the first screen you will see once the e-Hack Attack is ready to be used. From here, you have the option of selecting **Utility**, a **Pitch Type**, **Manual Mode** or creating a **Pitch Sequence**.

Utility allows you to erase all sequences and load default pitch types. **Pitch Type** allows you to start pitching balls for practice or modify pitch settings. **Manual Mode** allows you to pitch various balls quickly and randomly. **Pitch Sequence** allows you to create a series of pitches for quick, easy and consistent practice routines.

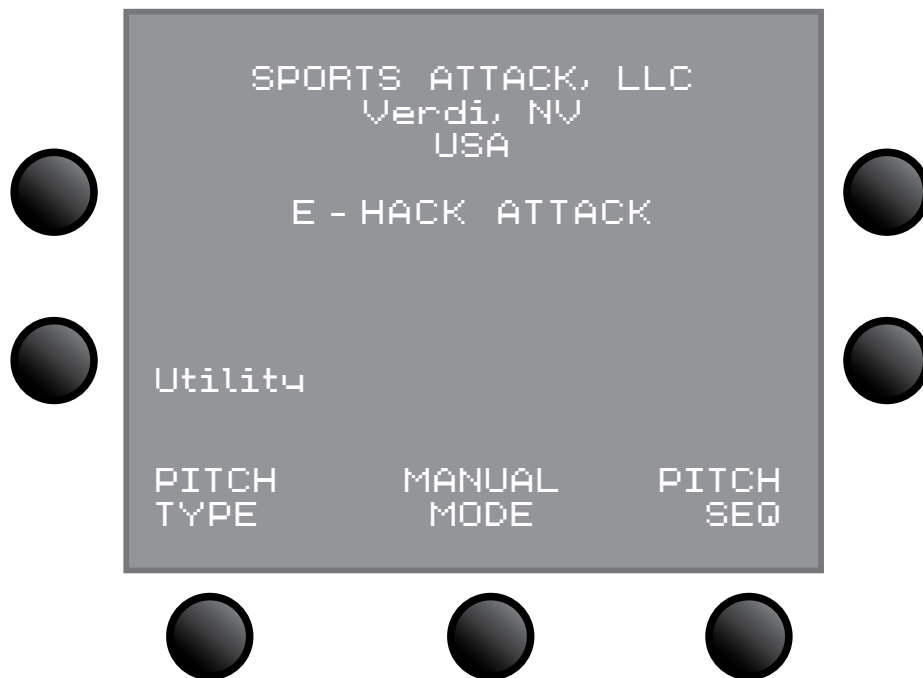


Figure 1 Home screen.

WARNING

PERSONAL INJURY HAZARD

Carefully read all instructions in this manual, and all labels and warnings on e-Hack Attack before using this machine.

Use machine only under adult supervision. Failure to operate e-Hack Attack as described in this manual can result in severe personal injury or death.

ELECTRICAL SHOCK HAZARD

e-Hack Attack must be connected to a properly grounded electrical receptacle.

Do not operate on wet ground.

CAUTION

PERSONAL INJURY HAZARD

DO NOT allow anyone to walk in front of the machine if it is connected to electrical power.

Carefully check e-Hack Attack for completeness and condition before connecting to electrical power.

At all times when the e-Hack Attack is "ON" it is possible a ball will be pitched. Be alert.

EQUIPMENT ELECTRICAL DAMAGE

DO NOT plug in or energize this equipment until this manual is read and followed.

UTILITY SCREEN

The **Utility** screen is where you are able to erase the sequences currently saved on your e-Hack Attack or load default pitch types that were originally programmed onto your e-Hack Attack.

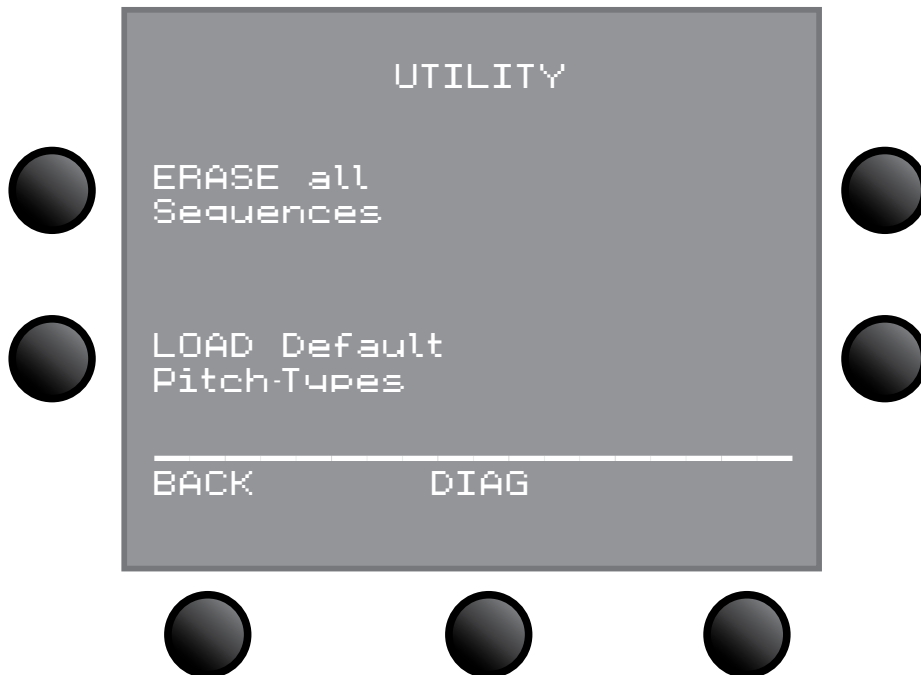


Figure 2 Utility screen. NOTE: "DIAG" button is active only to Sports Attack technicians. Pressing this button will do nothing.

IMPORTANT

If you turn off your e-Hack Attack or if your e-Hack Attack gets unplugged, **WAIT 20 SECONDS BEFORE POWERING UP YOUR E-HACK ATTACK.** Failure to do so can lead to garbled/unreadable screen displays as well as cause problems with the computer's motherboard.

WARNING

PERSONAL INJURY HAZARD

Carefully read all instructions in this manual, and all labels and warnings on e-Hack Attack before using this machine.

Use machine only under adult supervision. Failure to operate e-Hack Attack as described in this manual can result in severe personal injury or death.

ELECTRICAL SHOCK HAZARD

e-Hack Attack must be connected to a properly grounded electrical receptacle.

Do not operate on wet ground.

CAUTION

PERSONAL INJURY HAZARD

DO NOT allow anyone to walk in front of the machine if it is connected to electrical power.

Carefully check e-Hack Attack for completeness and condition before connecting to electrical power.

At all times when the e-Hack Attack is "ON" it is possible a ball will be pitched. Be alert.

EQUIPMENT ELECTRICAL DAMAGE

DO NOT plug in or energize this equipment until this manual is read and followed.

PITCH TYPE

This is the first screen you will see once you select **Pitch Type**. All pitches are already programmed in at their typical speeds, but you may adjust speed and direction according to your needs.

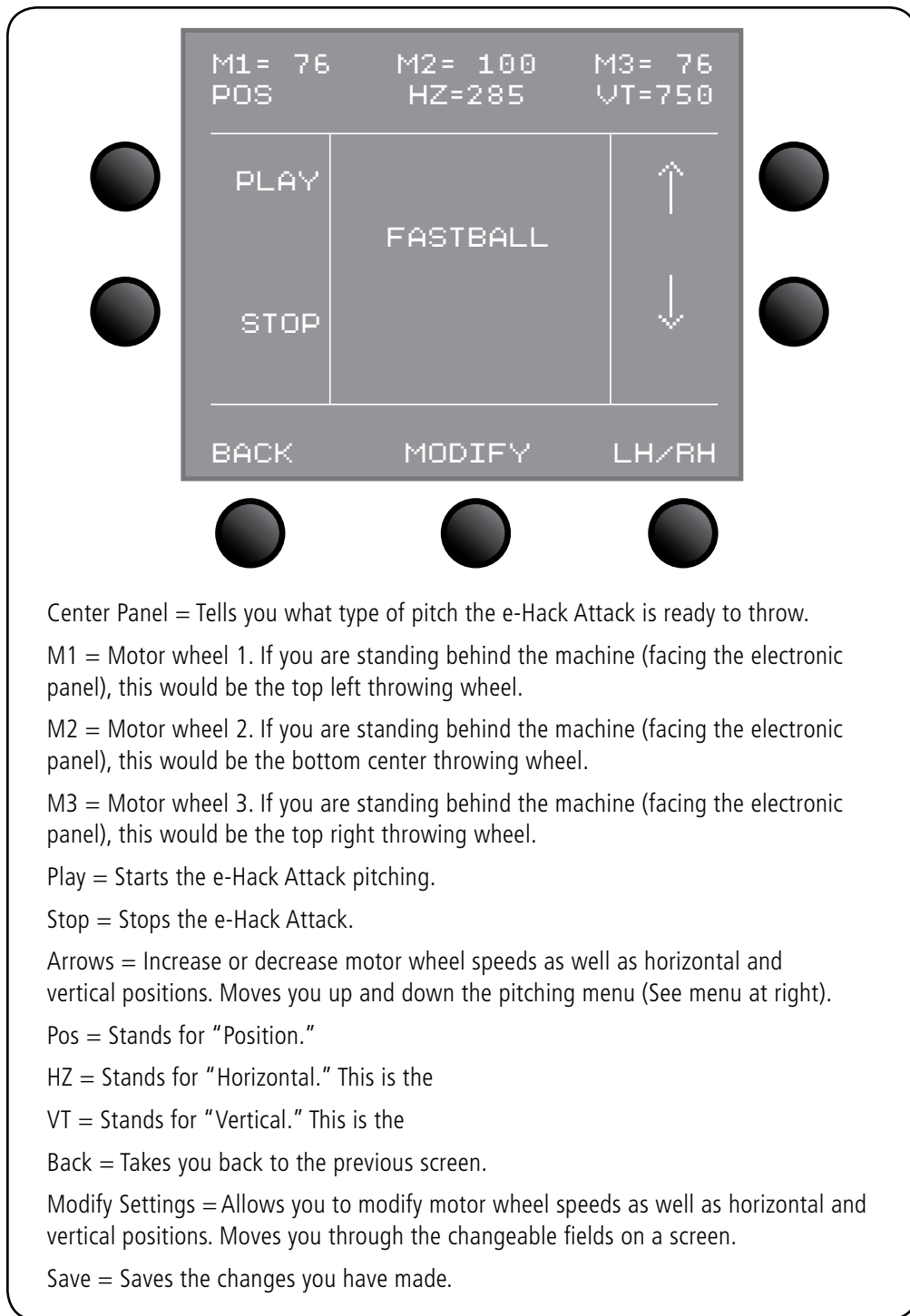


Figure 3 Fastball sample screen.

PITCH TYPE MENU

Fastball
Change-Up
Curve
Slider
Split Finger
Custom settings 1-5

WARNING

PERSONAL INJURY HAZARD

Carefully read all instructions in this manual, and all labels and warnings on e-Hack Attack before using this machine.

Use machine only under adult supervision. Failure to operate e-Hack Attack as described in this manual can result in severe personal injury or death.

ELECTRICAL SHOCK HAZARD

e-Hack Attack must be connected to a properly grounded electrical receptacle.

Do not operate on wet ground.

CAUTION

PERSONAL INJURY HAZARD

DO NOT allow anyone to walk in front of the machine if it is connected to electrical power.

Carefully check e-Hack Attack for completeness and condition before connecting to electrical power.

At all times when the e-Hack Attack is "ON" it is possible a ball will be pitched. Be alert.

EQUIPMENT ELECTRICAL DAMAGE

DO NOT plug in or energize this equipment until this manual is read and followed.

PITCH SEQUENCE

The **Pitch Sequence** screen is where you are able to create a pitch sequence for right- or left-handed pitches.



Figure 4 Pitch Sequence screen.

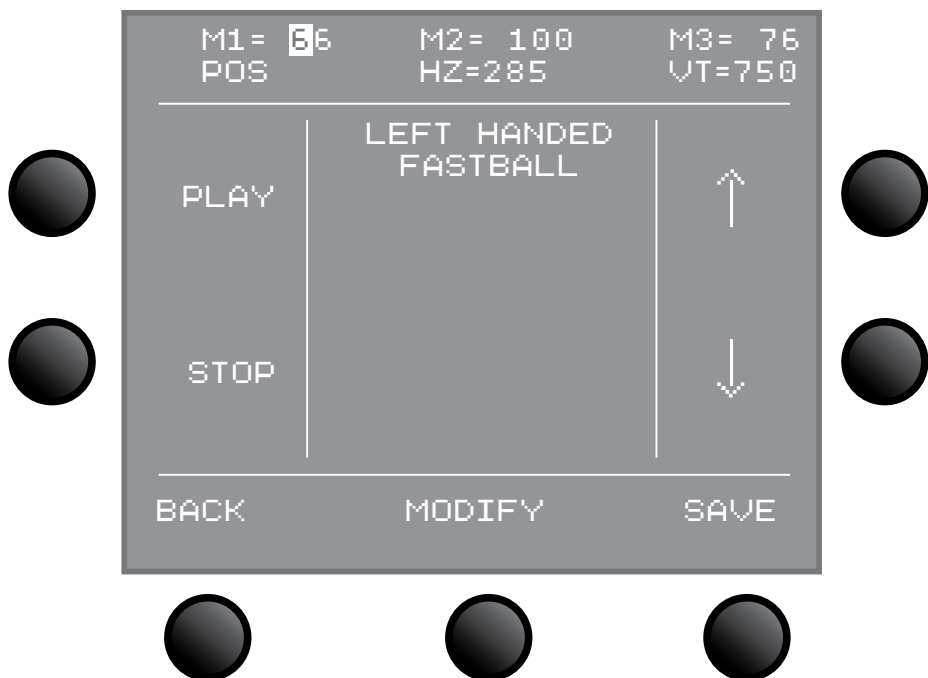


Figure 5 Modifying a pitch on the Pitch Sequence screen. The M1 speed is being changed from 76 to 66.

NOTE: Motor speeds change in increments of 2. Horizontal and Vertical settings change in increments of 5.

WARNING

PERSONAL INJURY HAZARD

Carefully read all instructions in this manual, and all labels and warnings on e-Hack Attack before using this machine.

Use machine only under adult supervision. Failure to operate e-Hack Attack as described in this manual can result in severe personal injury or death.

ELECTRICAL SHOCK HAZARD

e-Hack Attack must be connected to a properly grounded electrical receptacle.

Do not operate on wet ground.

CAUTION

PERSONAL INJURY HAZARD

DO NOT allow anyone to walk in front of the machine if it is connected to electrical power.

Carefully check e-Hack Attack for completeness and condition before connecting to electrical power.

At all times when the e-Hack Attack is "ON" it is possible a ball will be pitched. Be alert.

EQUIPMENT ELECTRICAL DAMAGE

DO NOT plug in or energize this equipment until this manual is read and followed.

CARE, CLEANING & MAINTENANCE

LUBRICATION (once per season, or as required):

1. Elevation Control
Apply fresh grease.
2. Horizontal Swivel Lock
 - a. Completely remove the horizontal swivel lock. Clean all old grease, dirt, etc. from the threads.
 - b. Wipe the threads with a very small amount of fresh grease.
 - c. Reinstall.

THROWING WHEEL MOTORS

Motors are sealed and require no lubrication.

Check bolts for tightness once a season. Tighten bolts securely, but do not over-tighten.

CLEANING THE THROWING WHEELS

The throwing wheels must be kept clean to maintain accuracy. Clean the wheels periodically to control the build-up of grass and dirt.

1. Turn the on/off switch "OFF" and allow the wheels to come to a complete stop. Unplug Junior Hack Attack from electric power.
2. Dampen a rag with soap and water. Turn the throwing wheel by hand and scrub the wheel until the build-up is removed. For very heavy build-up, a synthetic scouring pad, such as a Scotch-Brite® scouring pad, may be used sparingly. Acetone may be required to help loosen the build-up of dirt or ball residue.

EXAMINE THE MACHINE

Examine e-Hack Attack for condition and completeness before every use:

1. For batting practice, be sure the horizontal swivel lock is secured.
2. Throwing wheels must be tight on the motor shafts. Check that the keyway retaining bolts are tight.
3. Wheel guard and ball chute must be securely fastened to the throwing head.

IMPORTANT

If you turn off your e-Hack Attack or if your e-Hack Attack gets unplugged, **WAIT 20 SECONDS BEFORE POWERING UP YOUR E-HACK ATTACK.** Failure to do so can lead to garbled/unreadable screen displays as well as cause problems with the computer's motherboard.

CAUTION

PERSONAL INJURY HAZARD

Never attempt to clean the throwing wheels while they are turning. Rags or implements caught in spinning wheels can cause serious injury.

Unplug the machine before cleaning the wheels or performing any service.

CHEMICAL HAZARD

Acetone

Read and follow the directions and safety instructions on the acetone container.

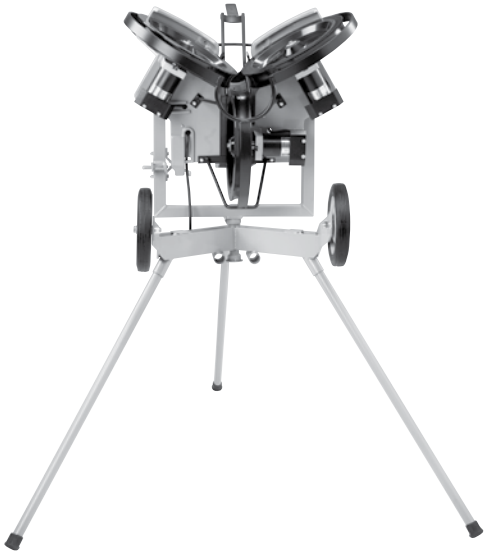
FIRE HAZARD

Acetone

Acetone is flammable. Do not use acetone around a fire or flame. Do not use acetone near a running generator or other source of ignition.

SPORTS ATTACK PRODUCTS

BASEBALL



HACK ATTACK BASEBALL



JUNIOR HACK ATTACK BASEBALL

SOFTBALL



HACK ATTACK SOFTBALL



JUNIOR HACK ATTACK SOFTBALL (shown with optional feeder)



Please visit our web site www.sportsattack.com for information about Sports Attack sports training products, or call 800-717-4251 for complete information and specifications.

SPORTS ATTACK PRODUCTS

TENNIS



ACE ATTACK

FOOTBALL



SNAP ATTACK

VOLLEYBALL



ATTACK



ATTACK II



SKILL ATTACK



Please visit our web site www.sportsattack.com for information about Sports Attack sports training products, or call 800-717-4251 for complete information and specifications.